

INSTALLATION AND GENERAL MAINTENANCE MANUAL
MANUEL D'INSTALLATION ET MAINTENANCE GÉNÉRAL
MANUAL DE INSTALACIÓN Y MANTENIMIENTO GENERAL
MANUALE DI INSTALLAZIONE E MANUTENZIONE GENERALE
ALLGEMEINES INSTALLATIONS- UND MONTAGEARBEITEN
MANUAL DE INSTALAÇÃO E MANUTENÇÃO GERAL



POOL PUMPS
POMPES POUR PISCINES
BOMBAS PARA PISCINAS
POMPA PER PISCINAS
PUMPEN FÜR SCHWIMMBECKEN
BOMBAS PARA PISCINAS

Made in
EC

ASTRALPOOL



English - POOL PUMPS

INSTALLATION AND GENERAL MAINTENANCE MANUALpage 3

Français - POMPE POUR PISCINES

MANUEL D'INSTALLATION ET MAINTENANCE GÉNÉRALpage 8

Español - BOMBAS PARA PISCINAS

MANUAL DE INSTALACIÓN Y MANTENIMIENTO GENERALpágina 13

Italiano - POMPA PER PISCINAS

MANUALE DI INSTALLAZIONE E MANUTENZIONE GENERALEpagina 18

Deutsch - PUMPEN FÜR SCHWIMMBECKEN

ALLGEMEINES INSTALLATIONS- UND MONTAGEARBEITENSeite 23



Portugues - BOMBAS PARA PISCINAS

MANUAL DE INSTALAÇÃO E MANUTENÇÃO GERALpagina 28

IMPORTANT

This manual contains basic information on the safety measures to be adopted during installation and start-up. The fitter and the user must therefore read the instructions before installation and start-up.

1. GENERAL SAFETY INSTRUCTIONS

These symbols (  ) indicate the possibility of danger where the corresponding instructions are not followed.

**DANGER. Risk of electrocution.**

Failure to abide by these instructions may lead to the risk of electrocution.

**DANGER.**

Failure to abide by these instructions may lead to the risk of injury or damage.

**WARNING.**

Failure to abide by these instructions may lead to the risk of damage to the pump or the installation.

2. GENERAL SAFETY REGULATIONS**GENERAL**

- The machines indicated in this Manual are especially designed for the pre-filtering and recirculation of water in swimming pools.

- They are designed to work with clean water at temperatures not exceeding 35°C.



- Install them in line with the specific instructions for each installation.

- Respect current regulations regarding accident prevention.

- All modifications to the pump require prior authorisation from the manufacturer. Original spare parts and accessories authorised by the manufacturer ensure greater safety. The pump manufacturer is exempt from all liability regarding any damage caused by unauthorised spare parts or accessories.



- When working on each machine or on the units linked to them, disconnect the unit from the power supply and the start-up devices, as the electrical parts of the pump are live during operation.

- All assembly and maintenance work must be carried out by qualified and authorised personnel who have carefully read the installation and service instructions.



- To guarantee safety when operating the machine, you must comply with that set out in the installation and service instructions.

- In the event of defective operation or faults, contact your supplier or nearest representative.

WARNINGS DURING INSTALLATION AND ASSEMBLY WORK

- When connecting the electrical wiring to the machine motor, check the layout inside the connection box and make sure there are no pieces of wiring inside after it has been closed and that the earthing conductor is correctly connected. Connect the motor in line with the wiring diagram attached to the machine.

- Make sure that the electrical wiring connections to the machine terminal box are well mounted and screwed tight to the connection terminals.

- The equipment should be connected to an alternating current supply (see data on the pump's plate) with earth connection, protected by a residual current device (RCD) having a rated residual operating current not exceeding 30 mA.
- Correctly use the seal of the terminal box for the electrical motor to prevent water getting in. Likewise, position and tighten the gland inside the cable duct of the terminal box.



- Make sure that water is unable to enter the motor or the live electrical parts.
- Where the intended use is not as indicated, additional technical adaptations and regulations may be required.

WARNINGS DURING START-UP



Before starting the machine, check the calibration of the electric protection devices on the motor and that the protection against electrical and mechanical contacts is correctly positioned and secure.

NOTE

The pool should not be used while the pumping equipment is running.
Do not use the pump if anyone is in contact with the water.

WARNINGS DURING ASSEMBLY AND MAINTENANCE WORK



- Take into account national installation regulations when assembling and installing the pumps.



- Make sure that water is unable to enter the motor or the live electrical parts.



- Avoid contact at all times - even accidentally - with moving machine parts while the machine is running and/or before it comes to a complete standstill.



- Wait for the machine to come to a halt before handling it.



- Before any electrical or mechanical maintenance operation, disconnect the unit from the power supply and block the start-up devices.



- Follow the steps below before handling the machine:



1. Disconnect the machine from the mains.



2. Block all start-up devices.



3. Check that there is no voltage in the circuits, even in the auxiliary circuits and additional services.



4. Wait for the impeller to come to a complete standstill.

The list indicated must be used as a guideline and is not binding for safety purposes. There may be particular safety regulations in specific standards.



- For regular control:

- Check that the mechanical parts are tightly secured and check the condition of the screws supporting the machine.

- Check that the power conductors and isolating parts are in their correct position, are secure and in a good state of repair.

- Check the temperature of the machine and the electric motor. In the event of a fault, stop the machine immediately and contact the nearest Technical Assistance Service.

- Check for machine vibrations. In the event of a fault, stop the machine immediately and contact the nearest Technical Assistance Service.



Due to the complex nature of the cases treated, the installation, user and maintenance instructions contained in this manual do not seek to examine all possible and imaginable cases of service and maintenance. Should you require additional instruction or have specific problems, please do not hesitate to contact the nearest Technical Assistance Service.

The electrical installation should be done by someone qualified in working with electrical equipment. This equipment is not designed for those with physical, sensory or mental handicap or people lacking in experience, unless done under supervision or with instructions of use from a person in charge of safety.

Do not permit children nor adults to sit or lean on the equipment. Children should be supervised to ensure that they do not play with the equipment.

3. INSTALLATION AND ASSEMBLY

GENERAL



- Our pumps may only be assembled and installed in pools or ponds that are compliant with HD 384.7.702. Should you have any doubts, please consult your specialist.



- Fit the pump horizontally due to the pre-filter. The pumps are fitted with a pre-filter with a basket inside to collect any large particles, as they may damage the hydraulic part inside the pump.
- All pumps are fitted with a foot with holes in it to anchor it to the ground (Fig. 1).

PIPING



- To connect the piping, glue the pipes and the connectors, supplied together with the pump; the fitting connections to the suction and return ports on the pump are threaded and include seals to prevent water loss (Fig. 2).
- Fit the return pipes completely perpendicular and centred in relation to the port to be connected to prevent the pump and the pipe from being subjected to external stress that, apart from making fitting difficult, could break them (Fig. 2).
- Fit the suction piping on a slight 2% slope towards the pump to avoid the formation of air pockets (Fig. 2).
- To ensure the pump works correctly, prime the pump pre-filter until water rises up through the suction pipe (Fig. 3).

LOCATION



- Fit the pump underneath the water level in the pool to improve pump performance.
- Where a self-priming pump is to be fitted above the water level, the pressure differential to the pump suction should not be higher than 0.02 MPa (2 mH₂O), ensuring that the suction pipe is as short as possible as a longer pipe would increase suction time and the installation's load losses.



- Make sure that the pump is safe from possible flooding and receives dry ventilation.

ELECTRICAL INSTALLATION



- It is essential that you use a multiple disconnection device with a space of at least 3 mm between surfaces to disconnect the equipment from the electrical current.
- Use a rigid cable to connect to the mains. If you use a flexible cable to connect to the mains, it must have cable lugs to connect to the terminals of the pump motor.
- The equipment should be connected to an alternating current supply (see data on the pump's plate) with earth connection, protected by a residual current device (RCD) having a rated residual operating current not exceeding 30 mA.
- Adjust the value of the thermal relay appropriately depending on the pump current.
Before connecting the motor, check the type of fuse required.
- Check the correct layout and connection of the earthing cable in the equipment.
- Respect the electrical installation and connection conditions. Failure to do so may lead to the pump manufacturer declining all responsibility and rendering the guarantee null and void.
- Special regulations may exist for the installation.
- Unsuitable mains connections involve the risk of electrocution.

For pumps with a single-phase motor:

- Thermal protection is incorporated.
- Use a motor guard with magneto-thermal protection.
- The adjustment data for the thermal relay is to be used as a guideline, as the motor is already fitted with protection.

- For 230 V, use a H07 RN-F3 type connection sleeve with a cable section that adapts to the power of the motor and to the length of the cable.

For pumps with a three-phase motor:

- Use a motor guard with magneto-thermal protection.
- Protect the pump against overloads with a cut-off switch for the motor.
- Adjust the thermal value according to the thermal protection table. For the connection Δ (3 x 230 V network), use the protection with the highest indicated value. For the connection Y (3 x 400 V network), use the protection with the lowest indicated value.

Connect the lowest voltage at Δ and the highest at Y for voltage intervals other than 230/400 V; 400/690 V.

- For AC, use a H07 RN-F3 type connection sleeve with a cable section that adapts to the power of the motor and the length of the cable.
- The mains cable may only be connected by skilled, authorised personnel.

4. START-UP INSTRUCTIONS

PRIOR TO START-UP



- Carry out the following operations before starting the pump:
 1. Remove the pre-filter cap by unscrewing the nut holding it in place (Fig. 5).
 2. Fill the pump with water through the pre-filter until it rises up through the suction pipe.
 3. Should the basket be removed during these operations, do not forget to replace it to prevent large particles from entering the pump that could block it.
 4. Check that the mains voltage and frequency correspond with those indicated on the pump characteristics plate.
- Fit the pre-filter cap and screw on tight, not forgetting to fit the seal in its housing (Fig. 5).
- The pumps must not be run without the pre-filter having first been filled with water. Where this is not the case, the mechanical gasket may be damaged, leading to a loss of water.



- Check that the motor rotates in the correct direction by means of the fan located at the back of the motor that can be seen through the view hole on the fan cover (Fig. 6).

START-UP



- Open all the valves and connect the motor.
- Activate the self-priming and wait a reasonable time for this to be completed.

5. MAINTENANCE



- Clean the pre-filter basket regularly to avoid drops in pressure. To prevent the basket from breaking, do not hit it during the cleaning process.
- Should the pump stop, check that consumption of the running motor in amperes is equal to or below that indicated on the manufacturer's characteristics plate. If this information is available, contact the nearest Technical Assistance Service.



- Empty the pump if it is to remain at a standstill for a certain length of time, especially in cold countries where there is a risk of freezing.
- Remove the purge cap (10) to empty the pump.
- Every time the pre-filter is opened, clean the seal and its seating of any impurities to ensure airtightness when the cap is closed (Fig. 5).

- Pump components that, due to their normal use, suffer wear and/or tear must be regularly replaced to ensure good pump performance. The following table shows the perishables and/or consumables used in the pump and their estimated working life.

COMPONENT DESCRIPTION	ESTIMATED WORKING LIFE
O rings and general seals	1 year
Mechanical seal	1 year
Bearings	1 year

The estimated working life of the parts above has been established according to normal product use and installation conditions.

Follow the instructions in the installation manual to maintain the working life of the pump.

6. REMOVAL



- The motor unit can be removed from the pump body without having to disconnect the pump's suction and return pipes.
- To remove the Motor unit from the pump body, remove the screws joining them together.

7. TROUBLESHOOTING




1. The pump is not primed
2. The pump releases only a small flow of water
3. The pump makes a noise
4. The pump will not start
5. The motor is making a noise but will not start
6. The motor is stopped

1	2	3	4	5	6	CAUSES	SOLUTIONS
•	•					Air entering the suction pipe	Check the condition of connections and seals on the suction pipe
•						Filter cap badly sealed	Clean the filter cap and check the condition of the rubber seal
•	•					Inverted motor turning	Invert 2 power phases
•	•	•				Wrong voltage	Check the voltage on the characteristics plate and that of the mains
	•					Pre-filter blocked	Clean the filter
	•					Load loss in the installation	Prevent parts from causing load loss wherever possible
		•				Pump incorrectly secured	Secure the pump correctly
				•		Motor blocked	Remove the motor and contact the technical service
					•	Increased temperature in the terminal box due to electric arc	Check the terminal box connections
					•	The thermal protection trips	Connect the cables correctly to the terminal boxes
					•	Incorrect terminal box connections	Tighten the cable correctly to the terminal / Adapt the size of the cable connection to the terminal box

IMPORTANT

Le manuel que vous avez entre les mains contient l'information fondamentale relative aux mesures de sécurité à adopter pour l'installation et la mise en service. Il est pour cela indispensable que l'installateur et l'utilisateur lisent les instructions avant de passer au montage et à la mise en marche.

1 PRESCRIPTIONS GÉNÉRALES DE SÉCURITÉ

Ces symboles (  ) indiquent une possibilité de danger comme conséquence du manquement aux prescriptions correspondantes.

**DANGER. Risque d'électrocution.**

L'absence de mise en garde de cette prescription comporte un risque d'électrocution.

**DANGER.**

L'absence de mise en garde de cette prescription comporte un risque de dommage corporel ou matériel.

**ATTENTION.**

L'absence de mise en garde de cette prescription comporte un risque de dommage de la pompe ou de l'installation.

2. NORMES GÉNÉRALES DE SÉCURITÉ**GÉNÉRALITÉS**

- Les machines citées dans ce manuel sont spécialement conçues pour obtenir le préfiltrage et le recyclage de l'eau dans les piscines.
- Elles sont conçues pour travailler avec des eaux propres et d'une température n'excédant pas 35°C.



- Effectuer l'installation selon les indications particulières de chaque implantation.
- Respecter les normes en vigueur relatives à la prévention d'accidents.
- L'autorisation préalable du fabricant est requise pour effectuer toute modification de la pompe. Les pièces de rechange originales et les accessoires autorisés par le fabricant servent à garantir une plus grande sécurité. Le fabricant de la pompe ne saurait être tenu responsable des dommages occasionnés par des pièces de rechange ou des accessoires non autorisés.



- Au moment d'effectuer le travail sur la machine ou sur les équipements qui y sont reliés, débrancher l'équipement du réseau électrique et des dispositifs de démarrage, vu que pendant le fonctionnement, les parties électriques de la pompe sont sous tension.
- Les travaux de montage et de maintenance doivent être réalisés par des personnes qualifiées et autorisées ayant lu au préalable les instructions d'installation et de service avec attention.



- Suivre tout ce qui est exposé dans les instructions d'installation et de service pour garantir la sécurité lors du fonctionnement de la machine.
- En cas de fonctionnement défectueux ou de panne, contactez votre fournisseur ou un de ses représentants le plus proche.

MISES EN GARDE RELATIVE AUX TRAVAUX D'INSTALLATION ET DE MONTAGE

- Pendant la connexion des câbles électriques au moteur de la machine, soigner la disposition à l'intérieur de la boîte de connexions, vérifier qu'aucun morceau de câble ne soit resté à l'intérieur après sa fermeture et que le conducteur de terre soit correctement connecté. Connecter le moteur selon le schéma électrique annexé à la machine.
- Fixer les connexions des câbles électriques à la boîte de dérivation de la machine de sorte à ce qu'elles soient bien enclâssées et pincées aux bornes de connexion.
- L'appareil doit être branché sur une prise de courant (voir informations sur la tôle caractéristique de la pompe) avec prise de terre, protégé par un interrupteur différentiel (RCD) avec un courant de fonctionnement résiduel assigné qui n'excède pas 30mA.

- Utiliser correctement le joint du boîtier de dérivation du moteur électrique pour éviter l'entrée d'eau. En outre, placer et serrer le presse-étoupe à l'intérieur du passe-câbles du boîtier de dérivation.



- Faire particulièrement attention à ce que n'entre pas d'eau dans le moteur et dans les parties électriques en tension et ce d'aucune façon.
- Dans le cas où l'utilisation prévue ne soit pas celle qui est mentionnée, appliquer des adaptations et des normes techniques supplémentaires.

MISE EN GARDE RELATIVE À LA MISE EN MARCHÉ



Avant la mise en marche de la machine, vérifier la calibration des dispositifs de protection électrique du moteur et contrôler que les protections contre les contacts électriques et mécaniques soient correctement positionnées et fixées.

REMARQUE

Ne pas utiliser les installations de bain pendant que l'équipement de pompage est en fonctionnement.

Ne pas utiliser la pompe si les personnes sont en contact avec l'eau.

MISES EN GARDE RELATIVE AUX TRAVAUX DE MONTAGE ET DE MAINTENANCE



- Prendre en considération les réglementations nationales d'installation pour le montage et l'installation des pompes.



- Faire particulièrement attention à ce que n'entre pas d'eau dans le moteur et dans les parties électriques en tension et ce d'aucune façon.



- Attendre que la machine soit complètement arrêtée pour effectuer n'importe quelle manipulation sur elle.



- Débrancher la machine du réseau d'alimentation et bloquer les dispositifs de mise en marche avant de procéder à toute intervention de maintenance électrique ou mécanique.



- Suivre les étapes suivantes avant d'effectuer n'importe quelle intervention que ce soit sur la machine :

1. Couper la tension de la machine.
2. Bloquer les dispositifs de mise en marche.
3. Vérifier qu'il n'y ait pas de tension dans les circuits, y compris dans les auxiliaires et les services supplémentaires.
4. Attendre que la turbine s'arrête complètement.



Considérer la liste exposée comme indicative et aliénable aux effets de sécurité, étant donné que peuvent exister des normes de sécurité spécifiques de réglementations particulières.



- Contrôler régulièrement :
 - La correcte fixation des parties mécaniques et l'état des vis de support de la machine.
 - La correcte position, la fixation et l'état des conducteurs d'alimentation et des parties isolantes.
 - La température de la machine et du moteur électrique. En cas d'anomalie, arrêter immédiatement la machine et contacter le Service d'Assistance Technique le plus proche.
 - Les vibrations de la machine. En cas d'anomalie, arrêter immédiatement la machine et procéder à contacter le Service d'Assistance Technique le plus proche.



Les instructions d'installation, utilisation et maintenance contenues dans ce manuel, en raison de la complexité des cas traités, ne prétendent pas examiner tous les cas possibles et imaginables de service et maintenance. Si des instructions supplémentaires étaient nécessaires ou si des problèmes particuliers surgissaient, ne pas hésiter à contacter le Service d'Assistance Technique le plus proche.

L'installation électrique doit être réalisée par des professionnels qualifiés en installations électriques. Cet appareil n'est pas destiné à des personnes avec des capacités physiques, sensorielles ou mentales réduites ou inexpérimentées, sauf si elles ont reçu une supervision ou des instructions concernant son utilisation par un responsable de la sécurité.

Interdisez aux enfants et aux adultes de s'appuyer ou de s'asseoir sur l'appareil. Les enfants doivent être surveillés afin de s'assurer qu'ils ne jouent pas avec l'appareil.

3. INSTALLATION ET MONTAGE

GÉNÉRAL



- Le montage et l'installation de nos pompes sont uniquement permis dans des piscines ou des étangs conformes à la norme HD 384.7.702. En cas de doute, consulter un spécialiste.



- Réaliser le montage de la pompe en position horizontale en raison du préfiltre. Les pompes sont dotées d'un préfiltre muni en son intérieur d'un panier pour intercepter les particules volumineuses, étant donné que celles-ci peuvent endommager la partie intérieure hydraulique de la pompe.

- Toutes les pompes sont munies d'un pied avec mèches pour pouvoir les fixer au sol au moyen d'un ancrage (Schéma 1).

TUYAUTERIE



- Pour réaliser la connexion de la tuyauterie, la coller au système de raccords fourni avec la pompe ; les unions du raccord aux bouches d'aspiration et d'impulsion de la pompe sont à vis et sont munies de joints d'étanchéité pour éviter la perte d'eau (Schéma 2).

- Réaliser l'installation des tuyaux d'impulsion complètement perpendiculaire et bien centrée par rapport à la bouche au moment de la connexion afin d'éviter que la pompe et le tuyau soient soumis à des efforts externes qui, en plus de rendre le montage plus difficile, pourraient amener à les casser (Schéma 2).

- Installer la tuyauterie d'aspiration avec une légère pente de 2% vers la pompe pour éviter la formation de poches d'air (Schéma 2).

- Pour le correct fonctionnement de la pompe, procéder à l'amorçage du préfiltre de la pompe jusqu'à ce que l'eau sorte par le conduit d'aspiration (Schéma 3).

EMPLACEMENT



- Pour améliorer le rendement des pompes, les monter en dessous du niveau de l'eau de la piscine ou étang.

- Si vous devez installer une pompe auto-aspirante au-dessus du niveau de l'eau, le différentiel de pression au niveau de l'aspiration de la pompe ne doit pas dépasser 0,02 MPa (2 mH2O) ; faites en sorte que la conduite d'aspiration soit la plus courte possible puisque un tuyau plus long augmente le temps d'aspiration et les pertes de charge de l'installation.



- Faire attention à ce que la pompe soit à l'abri de possibles inondations et qu'elle reçoive une ventilation sèche.

INSTALLATION ÉLECTRIQUE



- Il est indispensable d'utiliser un dispositif de sectionnement électrique multiple avec une séparation minimum de 3mm entre les contacts afin de déconnecter l'appareil de l'alimentation électrique.

- Utiliser un câble rigide comme connexion au réseau. Si un câble flexible est utilisé pour la connexion au réseau, celui-ci doit incorporer des terminaux pour sa connexion aux bornes du moteur de la pompe.

- L'appareil doit être branché sur une prise de courant (voir informations sur la tôle caractéristique de la pompe) avec prise de terre, protégé par un interrupteur différentiel (RCD) avec un courant de fonctionnement résiduel assigné qui n'excède pas 30mA.

- Ajuster convenablement la valeur du relais thermique selon l'intensité de la pompe.

- Avant de connecter le moteur, vérifier le type de fusible nécessaire.

- Vérifier la correcte disposition et connexion du câble de terre lors de l'installation de l'équipement

- Respecter les conditions d'installation et de connexion électriques : le fabricant de la pompe déclinerait toute responsabilité et déclarerait la garantie sans effet si ces conditions étaient ignorées.

- Il peut exister plusieurs règlements spéciaux relatifs à l'installation.

- Danger d'électrocution en cas de connexion de réseau inadéquate.

Si la pompe est munie d'un moteur monophasique :

- Incorporer un protecteur thermique.
- Utiliser un protège-moteur avec protection magnétothermique.
- Les données de régulation du relais thermique sont simplement données à titre d'exemple étant donné que le moteur est doté d'un protecteur incorporé.
- Pour 230 V, utiliser une gaine de connexion type H07 RN-F3 et adapter la section du câble à la puissance du moteur et à la longueur du câble.

Si la pompe est munie d'un moteur triphasé :

- Utiliser un protège-moteur avec protection magnétothermique.
- Protéger la pompe contre la surcharge avec un interrupteur de sécurité pour le moteur.
- Régler de manière pertinente la valeur du thermique, selon le tableau des protecteurs thermiques. À la connexion Δ (Réseau de 3 x 230 V) correspond le protecteur de la plus grande valeur indiquée. À la connexion Y (Réseau de 3 x 400 V) correspond le protecteur de la plus petite valeur indiquée.

Connecter la tension la plus basse sur Δ et la tension la plus haute sur Y pour des intervalles de tension différents de 230/400V ; 400/690V.

- Pour du courant alternatif, utiliser une gaine de connexion type H07 RN-F3 où la section du câble s'adapte à la puissance du moteur et à la longueur du câble.
- Le câble secteur ne peut être connecté que par un personnel qualifié et autorisé.

4 INSTRUCTIONS DE MISE EN SERVICE

QUESTIONS RELATIVES À LA MISE EN MARCHÉ



- Avant la mise en marche de la pompe, réaliser les opérations suivantes :

1. Démontez le couvercle du préfiltre en dévissant l'écrou qui le soutient (Schéma 5).
2. Remplir la pompe d'eau par le préfiltre jusqu'à ce qu'elle sorte par le conduit d'aspiration.
3. Si pendant ces opérations le panier s'était extrait, ne pas oublier de le placer à nouveau à l'intérieur du préfiltre, afin d'éviter l'entrée de particules volumineuses à l'intérieur de la pompe qui pourraient la bloquer.
4. Vérifier que la tension et la fréquence du réseau correspondent à celle que stipule la plaque de caractéristiques de la pompe.

- Placer le couvercle préfiltre et fermer en le vissant sans oublier de placer le joint à son emplacement (Schéma 5).
- Les pompes ne peuvent en aucun cas travailler sans avoir rempli au préalable le préfiltre d'eau étant donné que dans le cas contraire, cela pourrait endommager le joint mécanique et provoquer la perte d'eau.



- Vérifier que le sens de rotation du moteur est correct en utilisant le ventilateur situé sur la partie arrière du moteur et en observant par le couvercle du ventilateur (Schéma 6).

MISE EN MARCHÉ



- Ouvrir toutes les vannes et connecter le moteur.
- Effectuer l'auto-amorçage de la tuyauterie et attendre qu'il se produise dans un temps raisonnable.

5 MAINTENANCE



- Nettoyer le panier du préfiltre régulièrement pour éviter les chutes de pression. Pour éviter une rupture du panier, ne pas le cogner pendant toute la durée du nettoyage.
- Si la pompe s'arrête, vérifier que la consommation en ampères du moteur soit égale ou inférieure à la marque sur la plaque de caractéristiques du fabricant, ou à défaut, contacter le Service d'Assistance Technique le plus proche.



- Vider la pompe si elle doit rester un certain temps sans fonctionner, principalement dans des zones froides où peut exister un risque de congélation.
- Pour effectuer la vidange de la pompe, extraire le bouchon de purge 10.
- Chaque fois que le préfiltre s'ouvre, nettoyer les impuretés du support du joint pour s'assurer de l'étanchéité de la fermeture du couvercle (Schéma 5).
- Les composants de la pompe, dont l'usage habituel fait qu'ils souffrent d'usure et/ou de détérioration, doivent être changés régulièrement pour maintenir un bon rendement de la pompe. Le tableau suivant propose une liste des composants fongibles et/ou consommables de la pompe et l'estimation de leur durée de vie.

DESCRIPTION COMPOSANT	DURÉE DE VIE ESTIMÉE
Joints O et éléments d'étanchéité en général	1 an
Fermeture mécanique	1 an
Rodages	1 an

La période approximative de durée utile des pièces précédentes a été établie dans des conditions normales d'utilisation et d'installation du produit.

Suivre les instructions du manuel d'installation pour maintenir la période de vie utile de la pompe.

6. DÉMONTAGE



- L'ensemble du moteur peut être démonté du corps de la pompe, sans nécessité de déconnecter les tuyaux d'aspiration et d'impulsion de la pompe.
- Pour démonter l'ensemble moteur du corps de la pompe, ôter les vis qui les unissent.

7 TABLEAU DE DYSFONCTIONNEMENTS

- | | |
|--|--|
| <ol style="list-style-type: none"> 1. La pompe ne s'amorce pas 2. La pompe présente un débit faible 3. La pompe fait du bruit | <ol style="list-style-type: none"> 4. La pompe ne démarre pas 5. Le moteur fait du bruit mais ne se met pas en marche. 6. Arrêt du moteur |
|--|--|

1	2	3	4	5	6	CAUSES	SOLUTIONS
•	•					Entrée d'air par le tuyau d'aspiration	Vérifier l'état des raccords et les joints du tuyau d'aspiration
•						Mauvaise étanchéité du couvercle du filtre	Nettoyer le couvercle filtre et vérifier l'état du joint caoutchouc
•	•					Rotation du moteur inversée	Inverser les 2 phases d'alimentation
•	•		•			Tension erronée	Vérifier la tension de la plaque des caractéristiques et celle du réseau
	•					Préfiltre obstrué	Nettoyer le filtre
	•					Pertes de charge dans l'installation	Éviter au maximum que les éléments produisent des pertes de charge
		•				Fixation incorrecte de la pompe	Fixer correctement la pompe
				•		Moteur bloqué	Démonter le moteur et consulter le service technique
					•	Augmentation de la température dans la boîte de dérivation par effet d'arc de tension	Vérifier les connexions de la boîte de dérivation
					•	Le protecteur thermique s'active	Réaliser correctement la connexion des câbles aux terminaux des boîtes de dérivation
					•	Connexions de la boîte de dérivation mal effectuées	Serrer correctement le câble au terminal / Adapter la taille de la connexion du câble aux terminaux de la boîte de dérivation.

IMPORTANTE

El manual, que usted tiene en sus manos, contiene información fundamental a cerca de las medidas de seguridad a adoptar a la hora de la instalación y la puesta en servicio. Por ello, es imprescindible que tanto el instalador como el usuario lean las instrucciones antes de pasar al montaje y la puesta en marcha.

1. PRESCRIPCIONES GENERALES DE SEGURIDAD

Esta simbología (  ) indica la posibilidad de peligro como consecuencia de no respetar las prescripciones correspondientes.

**PELIGRO. Riesgo de electrocución.**

La no advertencia de esta prescripción comporta un riesgo de electrocución.

**PELIGRO.**

La no advertencia de esta prescripción comporta un riesgo de daño a las personas o cosas.

**ATENCIÓN.**

La no advertencia de esta prescripción comporta un riesgo de daños a la bomba o a la instalación.

2. NORMAS GENERALES DE SEGURIDAD**GENERALIDADES**

- Las máquinas citadas en este Manual están especialmente diseñadas para obtener el prefiltrado y la recirculación del agua en las piscinas.

- Están concebidas para trabajar con aguas limpias y de temperatura que no exceda 35°C.



- Efectuar la instalación de acuerdo con las indicaciones particulares de cada implantación.

- Respetar las normas vigentes para la prevención de accidentes.

- Para cualquier modificación en la bomba es requerida la previa autorización del fabricante. Los repuestos originales y los accesorios autorizados por el fabricante sirven para garantizar una mayor seguridad. El fabricante de la bomba queda eximido de toda responsabilidad de los daños ocasionados por repuestos o accesorios no autorizados.



- Al efectuar el trabajo sobre cada máquina o sobre los equipos a ella ligada, hay que desconectar el equipo de la red eléctrica de alimentación y los dispositivos de arranque, ya que durante el funcionamiento las partes eléctricas de la bomba se encuentran bajo tensión.

- Los trabajos de montaje y mantenimiento deben ser llevados a cabo por personas cualificadas y autorizadas, y que éstas hayan leído previamente de forma detenida las instrucciones de instalación y servicio.




- Cumplir lo expuesto en las instrucciones de instalación y servicio para garantizar la seguridad en el funcionamiento de la máquina.

- En caso de funcionamiento defectuoso o avería, diríjase a su proveedor o a la representación más próxima del mismo.

ADVERTENCIAS EN LOS TRABAJOS DE INSTALACIÓN Y MONTAJE

- Durante la conexión de los cables eléctricos al motor de la máquina, cuidar la disposición en el interior de la caja de conexiones, verificar que no queden trozos de cable en el interior después del cierre y que el conductor de tierra esté correctamente conectado. Conectar el motor siguiendo el esquema eléctrico adjunto a la máquina.

- Asegurar las conexiones de los cables eléctricos a la caja de bornes de la máquina, de manera que queden bien engastadas y apretadas a los bornes de conexión.
 - El equipo se debe conectar a una toma de corriente (ver datos en chapa característica de la bomba) con conexión a tierra, protegida con un interruptor diferencial (RCD) con una corriente de funcionamiento residual asignada que no exceda de 30 mA.
 - Utilizar correctamente la junta de la caja de bornes del motor eléctrico para evitar la entrada de agua. Igualmente, colocar y apretar el prensaestopa en el interior del pasacables de la caja de bornes.
-  - Prestar particular atención a que, de ninguna manera entre agua en el motor y en las partes eléctricas en tensión.
- En caso de que la utilización prevista no sea la citada, aplicar adecuaciones y normativas técnicas suplementarias.

ADVERTENCIAS EN LA PUESTA EN MARCHA



Verificar la calibración de los dispositivos de protección eléctricos del motor y comprobar que las protecciones contra contactos eléctricos y mecánicos estén correctamente posicionadas y fijadas, antes de la puesta en marcha.

NOTA

No utilizar las instalaciones de baño mientras el equipo de bombeo esté en funcionamiento.
No utilizar la bomba en caso que las personas estén en contacto con agua.

ADVERTENCIAS EN LOS TRABAJOS DE MONTAJE Y MANTENIMIENTO



- Tener en cuenta las reglamentaciones de instalaciones nacionales para el montaje e instalación de las bombas.



- Prestar particular atención a que de ninguna manera entre agua en el motor y en las partes eléctricas en tensión.



- Evitar en todo momento el contacto, incluso accidental, con las partes móviles de la máquina durante el funcionamiento de la misma y/o antes de su parada total.



- Esperar a que la máquina esté completamente parada para realizar cualquier manipulación sobre la misma.



- Desconectar la máquina de la red de alimentación y bloquear los dispositivos de puesta en marcha, antes de proceder a cualquier intervención de mantenimiento eléctrico o mecánico.



- Seguir los siguientes pasos antes de efectuar cualquier intervención sobre la máquina:



1. Quitar el voltaje de la máquina.

2. Bloquear los dispositivos de puesta en marcha.

3. Verificar que no haya voltaje presente en los circuitos, incluso en los auxiliares y los servicios suplementarios.

4. Esperar hasta que el rodete se pare completamente.

Considerar la lista expuesta como indicativa y no vinculante a los efectos de seguridad ya que pueden existir normas de seguridad específicas en normativas particulares.



- Controlar periódicamente:

- La correcta sujeción de las partes mecánicas y el estado de los tornillos de soporte de la máquina.

- La correcta posición, la sujeción y el estado de los conductores de alimentación y de las partes aislantes.

- La temperatura de la máquina y del motor eléctrico. En caso de anomalía, parar inmediatamente la máquina y contacte con el Servicio de Asistencia Técnica más próximo.

- Las vibraciones de la máquina. En caso de anomalía, parar inmediatamente la máquina y contacte con el Servicio de Asistencia Técnica más próximo..



Las instrucciones de instalación, uso y mantenimiento contenidas en este manual, a causa de la complejidad de los casos tratados, no pretenden examinar todos los casos posibles e imaginables de servicio y mantenimiento. Si son necesarias instrucciones suplementarias o si surgen problemas particulares, no dudar en contactar con el Servicio de Asistencia Técnica más próximo.

La instalación eléctrica debe ser hecha por personal profesional cualificado en instalaciones eléctricas. Éste equipo no esta destinado a personas con capacidades físicas, sensoriales o mentales reducidas o sin experiencia, a no ser que hayan tenido supervisión o instrucciones acerca de su uso por un responsable de seguridad.

No permita ni a niños ni a adultos apoyarse o sentarse sobre el aparato. Los niños deben ser supervisados para asegurar que no juegan con el equipo.

3. INSTALACIÓN Y MONTAJE

GENERAL



- El montaje e instalación de nuestras bombas, sólo está permitido en piscinas o estanques que cumplan con la norma HD 384.7.702. En supuestos dudosos, consultar a su especialista.



- Realizar el montaje de la bomba en posición horizontal debido al prefiltro. Las bombas llevan un prefiltro con un cesto en su interior para recoger las partículas gruesas, ya que éstas pueden dañar la parte interior hidráulica de la bomba.

- Todas las bombas están provistas de un pie con taladros para poder sujetarlas en el suelo mediante un anclaje (Fig. 1).

TUBERÍAS



- Para realizar la conexión de la tubería, encolar la tubería a la racordería, suministrada conjuntamente con la bomba; las uniones de la racordería a las bocas de aspiración e impulsión de la bomba son de rosca y llevan juntas de estanqueidad para evitar la pérdida de agua (Fig. 2).

- Realizar la instalación de los tubos de impulsión completamente perpendicular y bien centrada respecto a la boca a conectar con el fin de evitar que la bomba y el tubo estén sometidos a unos esfuerzos externos que, a parte de dificultar el montaje, podría llegar a romperlos (Fig. 2).

- Instalar la tubería de aspiración con una ligera pendiente hacia la bomba del 2% para evitar la formación de bolsas de aire (Fig. 2).

- Para el correcto funcionamiento de la bomba proceder al cebado del prefiltro de la bomba hasta que el agua aflore por el conducto de aspiración (Fig.3).

EMPLAZAMIENTO



- Montar la bomba por debajo del nivel del agua de la piscina o estanque para mejorar el rendimiento de las bombas.

- En caso de tener que instalar una bomba autoaspirante por encima del nivel del agua, el diferencial de presión a la aspiración de la bomba no debe ser superior a 0,02 MPa (2 mH₂O), procurando que el conducto de aspiración sea lo más corto posible ya que, una tubería más larga, incrementa el tiempo de aspiración y las pérdidas de carga de la instalación.



- Procurar que la bomba este a salvo de posibles inundaciones y reciba una ventilación de carácter seco.

INSTALACIÓN ELÉCTRICA



- Es imprescindible utilizar un dispositivo de desconexión múltiple con una separación mínima de 3 mm entre contactos para desconectar el equipo de la alimentación eléctrica.

- Utilizar un cable rígido como conexión a red. En el caso de utilizar un cable flexible para la conexión a la red, éste debe llevar terminales para su conexión a los bornes del motor de la bomba.

- El equipo se debe conectar a una toma de corriente (ver datos en chapa característica de la bomba) con conexión a tierra, protegida con un interruptor diferencial (RCD) con una corriente de funcionamiento residual asignada que no exceda de 30 mA.

- Ajustar convenientemente el valor del relé térmico según intensidad de la bomba.

- Comprobar el tipo de fusible necesario antes de conectar el motor.

- Verificar la correcta disposición y conexión del cable de tierra en la instalación del equipo.

- Respetar las condiciones de instalación y conexiones eléctricas, ya que de no ser así, el fabricante de la bomba declina toda su responsabilidad y considera sin efecto la garantía.

- Pueden existir reglamentos especiales para la instalación.
- Peligro de electrocución en caso de una conexión de red no adecuada.

En caso que la bomba tenga motor monofásico:

- Lleva incorporado un protector térmico.
- Utilizar un guarda-motor con protección magneto-térmica.
- Los datos de regulación del relé térmico son meramente ilustrativos, ya que el motor lleva un protector incorporado.
- Para 230 V utilizar una manguera de conexión tipo H07 RN-F3 y adaptar la sección del cable a la potencia del motor y a la longitud del cable.

En caso que la bomba tenga motor trifásico:

- Utilizar un guarda-motor con protección magneto-térmica.
- Proteger la bomba para sobrecarga con un interruptor de seguridad para el motor.
- Ajustar convenientemente el valor del térmico, según tabla de protectores térmicos. Para la conexión Δ (Red de 3 x 230 V.) corresponde el protector del mayor valor indicado. Para la conexión Y (Red de 3 x 400 V.) corresponde el protector de menor valor.

Conectar la tensión más baja en Δ y la tensión más alta en Y para intervalos de tensión distintos a 230/400V; 400/690V.

- Para corriente alterna utilizar una manguera de conexión tipo H07 RN-F3 donde la sección del cable se adapte a la potencia del motor y a la longitud del cable.
- Para conectar el cable de red, este sólo puede ser conectado por personal cualificado y autorizado.

4. INSTRUCCIONES DE PUESTA EN SERVICIO

CUESTIONES PREVIAS A LA PUESTA EN MARCHA



- Antes de poner en marcha la bomba, realizar las siguientes operaciones:
 1. Desmontar la tapa del prefiltro, desenroscando la tuerca que la sujeta (Fig. 5).
 2. Llenar de agua la bomba por el prefiltro hasta que aflore por el conducto de aspiración.
 3. Colocar de nuevo el cesto en el interior del prefiltro, si durante estas operaciones se hubiese extraído, con el objeto de evitar la entrada de partículas gruesas en el interior de la bomba que podrían llegar a bloquearla.
 4. Comprobar que la tensión y la frecuencia de la red se corresponden con las determinadas en la placa de características de la bomba.
- Colocar la tapa prefiltro y cerrar enroscándola, sin olvidar colocar la junta en su alojamiento (Fig.5).
- Las bombas en ningún caso pueden trabajar sin haber llenado previamente el prefiltro de agua, ya que de lo contrario, ello puede dañar la junta mecánica, provocando pérdida de agua por ésta.



- Comprobar que el sentido de rotación del motor es el correcto, utilizando el ventilador situado en la parte trasera del motor, y observándolo a través de la mirilla de la tapa del ventilador (Fig. 6).

PUESTA EN MARCHA



- Abrir todas las válvulas y conectar el motor.
- Efectuar el autocebado de la tubería y esperar a que se realice en un tiempo razonable.

5. MANTENIMIENTO



- Limpiar el cesto del prefiltro regularmente para evitar caídas de presión. No golpearlo durante el proceso de limpieza para evitar una posible rotura del cesto.
- Si la bomba se para, comprobar que el consumo en amperios del motor en funcionamiento es igual o inferior al marcado en la placa de características del fabricante, o en su defecto dirigirse al Servicio de Asistencia Técnica más próximo.



- Vaciar la bomba en los casos que tenga que permanecer algún tiempo sin funcionar, principalmente en países fríos donde pueda existir peligro de congelación.
- Para efectuar el vaciado de la bomba, extraer el tapón de purga 10.
- Cada vez que se abra el prefiltro, limpiar de impurezas el asiento de la junta y la propia junta, para asegurar la estanqueidad en el cierre de la tapa (Fig. 5).
- Los componentes de la bomba que por su uso habitual sufren desgaste y/o deterioro han de ser repuestos periódicamente para mantener el buen rendimiento de la bomba. En la siguiente tabla se listan los componentes fungibles y/o consumibles de la bomba y el periodo de vida estimado para los mismos.

DESCRIPCIÓN COMPONENTE	PERIODO ESTIMADO DE VIDA
Juntas tóricas y elementos de estanqueidad en general	1 año
Cierre mecánico	1 año
Rodamientos	1 año

El periodo estimado de vida de las piezas anteriores ha sido establecido según condiciones normales de uso e instalación del producto.

Seguir las instrucciones del manual de instalación para mantener el periodo de vida de la bomba.

6. DESMONTAJE



- El conjunto del motor puede ser desmontado del cuerpo de la bomba, sin necesidad de desconectar las tuberías de aspiración e impulsión de la bomba.
- Para desmontar el Conjunto motor del cuerpo de la bomba, quitar los tornillos que los unen.

7. TABLA DE FALLOS




- | | |
|--|---|
| <ul style="list-style-type: none"> 1. La bomba no se ceba 2. La bomba da poco caudal 3. La bomba hace ruido | <ul style="list-style-type: none"> 4. La bomba no arranca 5. El motor hace ruido pero no se pone en marcha 6. Paro del motor |
|--|---|

1	2	3	4	5	6	CAUSAS	SOLUCIONES
•	•					Entrada de aire por la tubería de aspiración	Comprobar el estado de racores y juntas del tubo de aspiración
•						Mala estanqueidad de tapa del filtro	Limpiar la tapa filtro y comprobar estado de la junta goma
•	•					Giro del motor invertido	Invertir 2 fases de la alimentación
•	•	•				Voltaje erróneo	Comprobar el voltaje de la placa característica y el de la red
	•					Prefiltro obturado	Limpiar el filtro
	•					Pérdidas de carga en la instalación	Evitar al máximo que los elementos produzcan pérdidas de carga
		•				Fijación incorrecta de la bomba	Fijar correctamente la bomba
				•		Motor bloqueado	Desmontar el motor y acudir al servicio técnico
					•	Aumento de la temperatura en la caja de bornes por efecto de arco voltaico	Comprobar las conexiones de la caja de bornes
					•	Salta el protector térmico	Realizar correctamente la conexión de los cables con los terminales de las cajas de bornes
					•	Conexiones caja bornes mal efectuadas	Apretar correctamente el cable con el terminal / Adecuar el tamaño de la conexión del cable a los terminales de la caja de bornes

IMPORTANTE

Il presente manuale contiene informazioni fondamentali sulle misure di sicurezza da adottare durante l'installazione e la messa in servizio. È pertanto imprescindibile che l'installatore e l'utente leggano le istruzioni prima di procedere al montaggio e all'avviamento.

1. PRESCRIZIONI GENERALI DI SICUREZZA

Questi simboli (  ) indicano una possibile situazione di pericolo come conseguenza dell'inosservanza delle istruzioni corrispondenti.

**PERICOLO. Rischio di folgorazione.**

La mancata osservanza di questa prescrizione comporta il rischio di folgorazione.

**PERICOLO.**

La mancata osservanza di questa prescrizione comporta il rischio di danni persone o cose.

**ATTENZIONE.**

La mancata osservanza di questa prescrizione comporta il rischio di danni alla pompa o all'impianto.

2. NORME GENERALI DI SICUREZZA**INDICAZIONI GENERALI**

- Le macchine indicate in questo manuale sono appositamente progettate per la filtrazione preliminare e il ricircolo dell'acqua nelle piscine.

- Sono concepite per funzionare con acqua pulita e a temperature inferiori ai 35°C.



- L'installazione va effettuata secondo le indicazioni specifiche di ogni impianto.

- Rispettare le norme vigenti per la prevenzione degli incidenti.

- Per qualsiasi modifica della pompa è necessaria l'autorizzazione previa del fabbricante. Lo scopo dei ricambi originali e degli accessori autorizzati dal fabbricante è quello di garantire una maggiore sicurezza. Il fabbricante della pompa declina ogni responsabilità per danni causati da ricambi o accessori non autorizzati.



- Prima di effettuare il lavoro su una macchina o sui dispositivi ad essa collegati, è necessario scollegare l'apparecchiatura dalla rete elettrica e dai dispositivi di avvio, dato che durante il funzionamento le parti elettriche della pompa sono sotto tensione.

- I lavori di montaggio e mantenimento devono essere effettuati da personale qualificato e autorizzato, dopo aver letto attentamente le istruzioni di installazione e di manutenzione.



- Rispettare quanto illustrato nelle istruzioni di installazione e manutenzione al fine di garantire la sicurezza nel funzionamento della macchina.

- In caso di funzionamento difettoso o di guasto, rivolgersi al fornitore o al suo rappresentante più vicino.

AVVERTENZE PER LE OPERAZIONI DI INSTALLAZIONE E MONTAGGIO

- Quando si collegano i cavi elettrici al motore della macchina, attenersi alla disposizione all'interno della morsetti, verificando che dopo la chiusura non rimangano pezzi di cavo all'interno e che il conduttore di terra sia collegato correttamente. Collegare il motore secondo lo schema elettrico allegato alla macchina.

- Assicurare i collegamenti dei cavi elettrici alla scatola di derivazione della macchina, in modo che risultino saldamente incassati e fissati ai morsetti di collegamento.

- L'attrezzatura va collegata ad una presa di tensione di corrente alterna (Vedi dati su coperchio delle caratteristiche della pompa), con una connessione a terra, protetta con un interruttore differenziali (RCD) con una corrente di funzionamento residuale assegnata che non ecceda i 30 mA.



- Utilizzare correttamente la tenuta della scatola di derivazione del motore elettrico al fine di evitare l'ingresso dell'acqua. Inoltre posizionare e stringere il premistoppa all'interno del passacavi della scatola di derivazione.
- Fare attenzione a che l'acqua non penetri nel motore e nelle parti elettriche in tensione.
- Nel caso in cui l'utilizzo previsto non sia menzionato, applicare adattamenti e normative tecniche supplementari.

AVVERTENZE PER L'AVVIAMENTO



Prima di avviare la macchina, verificare la taratura dei dispositivi elettrici di protezione del motore; verificare inoltre che le protezioni dai contatti elettrici e meccanici siano collocate e fissate correttamente.

NOTA

Non utilizzare gli impianti del bagno mentre il dispositivo di pompaggio è in funzione.
Non utilizzare la pompa se vi sono persone a contatto con l'acqua.

AVVERTENZE PER LE OPERAZIONI DI MONTAGGIO E MANTENIMENTO



- Per il montaggio e l'installazione delle pompe occorre attenersi alla normativa nazionale in materia di installazioni.
- Fare attenzione a che l'acqua non penetri nel motore e nelle parti elettriche in tensione.



- Durante il funzionamento e/o prima dell'arresto completo della macchina, evitare in ogni momento il contatto, anche accidentale, con le parti mobili della macchina.



- Per lo svolgimento di qualsiasi intervento sulla macchina, attenderne il completo arresto.



- Scollegare la macchina dalla rete elettrica e bloccare i dispositivi di avvio prima di procedere a qualunque intervento di manutenzione elettrica o meccanica.



- Prima di procedere a qualunque intervento sulla macchina seguire questa procedura:



1. Togliere tensione alla macchina.



2. Bloccare i dispositivi di avviamento.



3. Verificare che i circuiti siano privi di tensione, anche nei dispositivi ausiliari e nei servizi supplementari.

4. Attendere il completo arresto della girante.

Considerare questo elenco come indicativo e non vincolante ai fini della sicurezza, dato che possono esistere norme di sicurezza specifiche in normative particolari.



- Controllare periodicamente:

- La sede corretta delle parti meccaniche e lo stato delle viti di sostegno della macchina.

- La corretta posizione, la sede e lo stato dei conduttori di alimentazione e delle parti isolanti.

- La temperatura della macchina e del motore elettrico. In caso di anomalia, arrestare immediatamente la macchina e rivolgersi al Servizio di Assistenza Tecnica più vicino.

- Le vibrazioni della macchina. In caso di anomalia, arrestare immediatamente la macchina e rivolgersi al Servizio di Assistenza Tecnica più vicino.



Le istruzioni di installazione, uso e mantenimento contenute in questo manuale, a causa della complessità dei casi trattati, non pretendono di esaminare tutti i casi possibile e immaginabili di servizio e mantenimento. Qualora si rendessero necessarie istruzioni supplementari o si verificassero problemi particolari, non si esiti a mettersi in contatto con il rivolgersi al Servizio di Assistenza Tecnica più vicino.

L'installazione elettrica deve essere eseguita da personale professionale qualificato in installazioni elettriche. Questo apparato non è destinato a persone con capacità fisiche, sensoriali o mentali ridotte o senza esperienza, a meno che non abbiamo ricevuto supervisione o istruzioni in merito al suo uso da un responsabile della sicurezza.

Non permetta né ai bambini né agli adulti di appoggiarsi o di sedersi sull'attrezzatura. I bambini devono essere controllati per assicurarsi che non giochino con l'attrezzatura.

3. INSTALLAZIONE E MONTAGGIO

INDICAZIONI GENERALI



- Il montaggio e l'installazione delle nostre pompe sono consentiti solo in piscine o vasche conformi alla norma HD 384.7.702. In caso di dubbio, consultare uno specialista.



- Effettuare il montaggio della pompa in posizione orizzontale, in considerazione del filtro preliminare. Le pompe sono dotate di un filtro preliminare con un cesto interno che serve a raccogliere le particelle più grosse che potrebbero danneggiare la parte idraulica interna della pompa.

- Tutte le pompe sono provviste di una base con fori trapanati che consente di fissarle al suolo con un ancoraggio (Fig. 1).

TUBAZIONI



- Per effettuare il collegamento delle tubazioni, incollarle ai raccordi forniti assieme alla pompa; i punti di unione dei raccordi alle bocche di aspirazione e mandata sono filettati e presentano guarnizioni di tenuta che evitano le perdite d'acqua (Fig. 2).

- Effettuare l'installazione dei tubi ad impulsi in perpendicolare e centrata rispetto all'uscita da collegare, al fine di evitare che la pompa e il tubo siano sottoposti a sforzi esterni che, oltre a rendere difficile il montaggio, potrebbero provocarne la rottura (Fig. 2).

- Installare i tubi di aspirazione con una leggera pendenza del 2% verso la pompa, per evitare la formazione di sacche d'aria (Fig. 2).

- Al fine di assicurare il corretto funzionamento della pompa, procedere all'avvio del filtro preliminare fino a quando l'acqua affiora dal condotto di aspirazione (Fig. 3).

COLLOCAZIONE



- Montare la pompa al di sotto del livello dell'acqua della piscina o vasca, per migliorare il rendimento delle pompe.

- Se fosse necessario installare una pompa autoaspirante sopra il livello dell'acqua, il differenziale di pressione dell'aspirazione della pompa non dev'essere superiore a 0,02 MPa (2 mH₂O), facendo in modo che il condotto di aspirazione sia il più corto possibile, poiché una tubatura più lunga incrementa il tempo di aspirazione e le perdite di carica dell'installazione.



- Fare in modo che la pompa sia protetta da possibili inondazioni e riceva una ventilazione con aria asciutta.

INSTALLAZIONE ELETTRICA



- È imprescindibile utilizzare un dispositivo di disconnessione multipla con una separazione minima di 3 mm tra i contatti per sconnettere l'attrezzatura della alimentazione elettrica.

- Utilizzare un cavo rigido per il collegamento alla rete. In caso si utilizzi un cavo flessibile per il collegamento alla rete, questo dovrà essere dotato di terminali per il collegamento ai morsetti del motore della pompa.

- L'attrezzatura va collegata ad una presa di tensione di corrente alterna (Vedi dati su coperchio delle caratteristiche della pompa), con una connessione a terra, protetta con un interruttore differenziali (RCD) con una corrente di funzionamento residuale assegnata che non ecceda i 30 mA.

- Regolare adeguatamente il valore del relè termico in base alla potenza della pompa.

- Verificare il tipo di fusibile necessario prima di collegare il motore.

- Verificare che la disposizione e il collegamento del cavo di terra nell'installazione dell'attrezzatura siano corretti.

- Rispettare le condizioni di installazione e i collegamenti elettrici dato che, in caso contrario, il fabbricante della pompa declina ogni responsabilità e non considera valida la garanzia.

- È possibile che per l'installazione esistano regolamenti specifici.

- Pericolo di folgorazione in caso di collegamento a una rete non idonea.

Se la pompa è dotata di un motore monofase:

- Dotato di protettore termico incorporato. In queste pompe è sufficiente l'installazione con interruttore secondo lo schema "Collegamenti alla rete".
- Utilizzare un salvamotore con protezione magnetotermica.
- I dati di regolazione del relè termico sono meramente illustrativi, dato che nel motore è già integrato un interruttore di protezione.
- Per 230 V utilizzare un tubo di collegamento di tipo H07 RN-F3 e adattare la sezione del cavo alla potenza del motore e alla lunghezza del cavo.

Se la pompa è dotata di un motore trifase:

Utilizzare un salvamotore con protezione magnetotermica.

È necessario proteggere la pompa dai sovraccarichi con un interruttore di sicurezza per il motore.

Regolare correttamente il valore del termico, in base alla tabella dei protettori termici. Per il collegamento Δ (rete da 3 x 230 V.) è previsto il protettore con il valore massimo indicato. Per il collegamento Y (rete da 3 x 400 V.) è previsto il protettore con il valore minimo indicato.

Collegare la tensione minima a Δ e la tensione più alta a Y per intervalli di tensione diversi da 230/400 V; 400/690 V.

- Per la corrente alternata, servirsi di un flessibile di collegamento tipo H07 RN-F3, nel quale la sezione del cavo si adatti alla potenza del motore e alla lunghezza del cavo.
- Per collegare il cavo alla rete è necessario rivolgersi a personale qualificato e autorizzato.

4. ISTRUZIONI DI MESSA IN SERVIZIO

ASPETTI PRELIMINARI ALL'AVVIAMENTO



- Prima di avviare la pompa, svolgere le seguenti operazioni:

1. Smontare il coperchio del filtro preliminare svitando il dado che lo sorregge (Fig. 5).
2. Riempire la pompa d'acqua dal filtro preliminare fino a quando l'acqua affiora dal condotto di aspirazione.
3. Nel caso in cui, durante queste operazioni, il cesto fosse fuoriuscito dal filtro preliminare, provvedere a reinstallarlo al fine di evitare l'ingresso di particelle grosse all'interno della pompa (le quali potrebbero bloccarla).
4. Verificare che la tensione e la frequenza della rete corrispondano a quelle riportate nella targhetta delle caratteristiche della pompa.

- Collocare il coperchio del filtro preliminare e chiuderlo avvitando, senza dimenticarsi di collocare la guarnizione nella sua sede (Fig. 5).

- In nessun caso le pompe possono funzionare senza aver prima riempito d'acqua il filtro preliminare dato che, in caso contrario, si può danneggiare la guarnizione meccanica provocando la perdita d'acqua attraverso di essa.



- Verificare che il senso di rotazione del motore sia quello corretto utilizzando il ventilatore situato nella parte posteriore dello stesso e osservandolo attraverso la spia del coperchio del ventilatore (Fig. 6).

AVVIAMENTO



- Aprire tutte le valvole e accendere il motore.

- Effettuare l'avvio automatico delle tubazioni e verificare che si realizzi in tempi ragionevoli.

5. MANUTENZIONE



- Pulire regolarmente il cesto del filtro preliminare per evitare cali di pressione. Non colpirlo durante il processo per evitare una possibile rottura del cesto.

- Se la pompa smette di funzionare, verificare che il consumo in ampère del motore acceso sia uguale o inferiore al valore indicato nella targhetta delle caratteristiche del fabbricante o, in caso di assenza della stessa, rivolgersi al servizio di assistenza tecnica più vicino.



- Se si prevede che la pompa rimarrà inattiva per un periodo prolungato, occorre smontarla, in particolare nei Paesi freddi dove sussiste il rischio di congelamento.
- Per effettuare lo svuotamento della pompa, estrarre il tappo di spurgo 10.
- Ogni volta che si apre il filtro preliminare, togliere le impurità dalla sede della guarnizione e dalla guarnizione stessa per assicurare che la chiusura del coperchio sia a tenuta (Fig. 5).
- Per mantenere il buon rendimento della pompa, sostituirla periodicamente i componenti che, per l'uso normale, sono soggetti a usura e/o deterioramento. Nella seguente tabella sono elencati i componenti fungibili e/o consumabili della pompa e il periodo di vita stimato per gli stessi.

DESCRIZIONE COMPONENTE	DURATA IN SERVIZIO PREVISTA
Guarnizioni circolari ed elementi di tenuta in generale	1 anno
Chiusura meccanica	1 anno
Cuscinetti	1 anno

Il periodo stimato di vita dei pezzi anteriori è stato stabilito in base alle normali condizioni d'uso e installazione del prodotto.

Seguire le istruzioni del manuale di installazione per mantenere il periodo di vita della pompa.

6. SMONTAGGIO



- È possibile smontare il gruppo del motore dal corpo della pompa senza necessità di scollegare le tubazioni di aspirazione e mandata della pompa.
- Per smontare il gruppo del motore dal corpo della pompa, togliere le viti che li uniscono.

7. TABELLA DEGLI ERRORI

- | | |
|-------------------------------------|--|
| 1. La pompa non si avvia | 4. La pompa non si avvia |
| 2. La portata della pompa è ridotta | 5. Il motore fa rumore ma non si avvia |
| 3. La pompa fa rumore | 6. Arresto del motore |

1	2	3	4	5	6	CAUSE	SOLUZIONI
•	•					Entrata di aria dalla tubazione di aspirazione	Verificare lo stato dei raccordi e delle guarnizioni del tubo di aspirazione
•						Tenuta insufficiente del coperchio del filtro	Pulire il coperchio del filtro e verificare lo stato della guarnizione di gomma
•	•					Rotazione invertita del motore	Invertire 2 fasi di alimentazione
•	•		•			Tensione erranea	Verificare il voltaggio della targhetta delle caratteristiche e della rete
	•					Filtro preliminare intasato	Pulire il filtro
	•					Perdite di carica nell'installazione	Evitare il più possibile che gli elementi generino perdite di carica
		•				Fissaggio non corretto della pompa	Fissare correttamente la pompa
				•		Motore bloccato	Smontare il motore e rivolgersi al servizio tecnico
					•	Aumento della temperatura nella morsettiera a causa dell'arco voltaico	Verificare i collegamenti della morsettiera
					•	Scatta il termointerruttore	Collegare correttamente i cavi ai terminali della morsettiera
					•	Collegamenti della morsettiera non corretti	Stringere correttamente il cavo con il terminale / adeguare la misura del collegamento del cavo ai terminali della morsettiera

WICHTIG

Dieses Handbuch enthält wesentliche Informationen über die Sicherheitsvorkehrungen, die bei der Installation und Inbetriebnahme zu treffen sind. Daher ist es unbedingt erforderlich, dass sowohl der Installateur als auch der Benutzer vor Beginn der Montage und Inbetriebnahme diese Anweisungen lesen.

1. ALLGEMEINE SICHERHEITSVORSCHRIFTEN

Diese Symbole (  ) weisen auf eventuelle Gefahren infolge der Nichtbeachtung der entsprechenden Vorschriften hin.

**GEFAHR. Stromschlagrisiko.**

Die Nichtbeachtung dieser Bestimmung birgt ein Stromschlagrisiko.

**GEFAHR.**

Die Nichtbeachtung dieser Bestimmung birgt ein Risiko von Personen- oder Sachschäden.

**ACHTUNG.**

Die Nichtbeachtung dieser Bestimmung birgt ein Risiko von Schäden an der Pumpe oder der Anlage.

2. ALLGEMEINE SICHERHEITSBESTIMMUNGEN**ALLGEMEINES**

- Die in diesem Handbuch behandelten Maschinen sind speziell für die Vorfiltration und die Umwälzung des Wassers in Schwimmbecken ausgelegt.

- Sie sind für den Betrieb mit sauberem Wasser bei Temperaturen von max. 35 °C ausgelegt.



- Installation gemäß den besonderen Bedingungen jedes Einsatzortes realisieren.

- Gültige Vorschriften zur Unfallverhütung einhalten.

- Vor jeder Änderung an der Pumpe muss die Genehmigung des Herstellers eingeholt werden. Die Original-Ersatzteile und das vom Hersteller zugelassene Zubehör gewährleisten einen hohen Sicherheitsgrad. Der Hersteller der Pumpe lehnt jede Haftung für Schäden aufgrund des Einsatzes von nicht zugelassenen Ersatz- oder Zubehörteilen ab.



- Bei Arbeiten an der Maschine oder daran angeschlossenen Baugruppen müssen sie vorher vom Netz und den Inbetriebnahmeverrichtungen getrennt werden, da während des Betriebs die elektrischen Teile der Pumpe unter Spannung stehen.



- Montage- und Wartungsarbeiten müssen von zugelassenen Fachkräften ausgeführt werden, die vorher die Installations- und Betriebsanleitungen aufmerksam gelesen haben.

- Installations- und Betriebsanweisungen einhalten, um die Betriebssicherheit der Maschine zu gewährleisten.

- Bei Betriebsstörungen oder Defekten wenden Sie sich an den Lieferanten oder die nächstgelegene Vertretung.

WARNHINWEISE FÜR DIE INSTALLATIONS- UND MONTAGEARBEITEN

- Beim Anschließen der Stromkabel an den Maschinenmotor auf die Anordnung im Anschlusskasten achten und sicherstellen, dass nach dem Schließen des Kastens keine Kabelreste im Innern verbleiben und der Erdungsleiter fachgerecht angeschlossen ist. Den Motor gemäß dem der Maschine beigelegten Schaltbild anschließen.

- Sicherstellen, dass die Anschlüsse der Stromkabel im Klemmenkasten der Maschine ordentlich eingesteckt sind und die Anschlussklemmen angezogen wurden.

- Das Gerät muss an einen (siehe Daten auf der Plakette mit den Eigenschaften der Pumpe) Wechselstromanschluß mit Erdung angeschlossen werden. Dieser muss durch ein Differential (RCD) mit höchstens 30 mA gesichert sein.

- Dichtung des Klemmenkastens des Elektromotors richtig einsetzen, um den Eintritt von Wasser zu verhindern. Ebenso sicherstellen, dass die Stopfbüchse in der Kabeldurchführung des Klemmenkastens eingesetzt und angezogen wurde.



- Insbesondere darauf achten, dass unter keinen Umständen Wasser in den Motor und die spannungsführenden Teile eindringen kann.
- Bei anderweitiger Verwendung als angegeben sind Umbauten und ergänzende technische Vorschriften erforderlich.

WARNHINWEISE FÜR DIE INBETRIEBNAHME



Vor der Inbetriebnahme der Maschine die Auslegung der elektrischen Absicherungen des Motors und die korrekte Position und Befestigung der Schutzvorrichtungen gegen elektrische und mechanische Berührungen prüfen.

HINWEIS

Das Becken bei laufender Pumpenanlage nicht benutzen.

Wenn Personen mit dem Wasser in Berührung sind, darf die Pumpe nicht verwendet werden.

WARNHINWEISE FÜR DIE MONTAGE- UND WARTUNGSARBEITEN



- Für die Montage und Installation der Pumpen sind die länderspezifischen Montage- und Installationsvorschriften zu beachten.

- Insbesondere darauf achten, dass unter keinen Umständen Wasser in den Motor und die spannungsführenden Teile eindringen kann.



- Unter keinen Umständen - auch nicht unbeabsichtigt - die beweglichen Teile der Maschine während des Betriebs bzw. vor ihrem völligen Stillstand berühren.



- Vor Arbeiten an der Maschine abwarten, bis sie vollkommen zum Stillstand gekommen ist.



- Vor elektrischen oder mechanischen Wartungsarbeiten Maschine vom Netz trennen und Einschaltvorrichtungen blockieren.

- Vor Arbeiten an der Maschine sind nachstehende Schritte zu befolgen:

1. Die Maschine spannungslos machen.

2. Die Einschaltvorrichtungen blockieren.



3. Sicherstellen, dass an den Stromkreisen - auch an den Neben- und Zubehör-Stromkreisen - keine Spannung anliegt.



4. Warten, bis das Laufrad vollkommen zum Stillstand gekommen ist.

Diese Liste ist als Hinweis zu Sicherheitszwecken und nicht verbindlich zu verstehen, da es in bestimmten Vorschriften spezifische Sicherheitsbestimmungen geben kann.



- Regelmäßig kontrollieren:

- die korrekte Befestigung der mechanischen Teile und den Zustand der Befestigungsschrauben der Maschine.

- die korrekte Position, Befestigung und den Zustand der Netzkabel und Isolierungen.

- die Temperatur der Maschine und des Elektromotors. Bei Störungen die Maschine sofort ausschalten und wenden Sie sich bitte an die nächste technische Unterstützung Service.

- Vibrationen an der Maschine. Bei Störungen die Maschine sofort ausschalten und wenden Sie sich bitte an die nächste technische Unterstützung Service.



Die Installations-, Bedienungs- und Wartungsanleitungen dieses Handbuchs können aufgrund der Komplexität nicht alle möglichen und vorstellbaren Betriebs- und Wartungsfälle behandeln. Wenn Sie zusätzliche Anweisungen benötigen oder spezifische Probleme auftreten, wenden Sie sich bitte an die nächste technische Unterstützung Service.

Die elektrische Installation muss von dazu qualifizierten Fachleuten vorgenommen werden. Diese Anlage ist nicht geeignet für Personen mit körperlicher, mentaler oder Wahrnehmungseinschränkung oder ohne Erfahrung, es sei denn, Sie werden während der Benutzung von einem Sicherheitsverantwortlichen beaufsichtigt.

Weder Kinder noch Erwachsene dürfen sich auf das Gerät stützen oder sich daran anlehnen. Kinder müssen beaufsichtigt werden, um sicher zu stellen, dass Sie nicht mit dem Gerät spielen.

3. INSTALLATION UND MONTAGE

ALLGEMEINES



- Die Montage und Installation unserer Pumpen ist nur an Schwimmbecken oder Teichen zulässig, die die Norm HD 384.7.702 erfüllen. Fragen Sie im Zweifelsfall Ihren Spezialisten.



- Aufgrund des Vorfilters ist die Pumpe horizontal zu montieren. Die Pumpen besitzen einen Vorfilter mit einem eingebauten Korb, der größere Partikel herausfiltert, da diese die wasserführenden Teile der Pumpe beschädigen können.

- Alle Pumpen sind mit einem Ständer mit Bohrungen zur Bodenverankerung ausgestattet (Abb. 1).

ROHRLEITUNGEN



- Der Anschluss der Rohrleitungen muss durch Verklebung mit den mitgelieferten Anschlüssen erfolgen; der Anschluss an den Saug- und Druckstutzen der Pumpe besteht aus Schraubverbindungen mit Dichtungen zur Vermeidung von Lecks an diesen Anschlüssen (Abb. 2).

- Die Installation der druckseitigen Rohrleitungen absolut senkrecht und genau mittig zum Stutzen realisieren, damit Pumpe und Rohrleitung keinen externen Beanspruchungen ausgesetzt werden, die nicht nur die Montage erschweren, sondern auch zum Bruch führen könnten (Abb. 2).

- Die saugseitigen Rohrleitungen zur Vermeidung von Luftblasenbildung leicht fallend (2%) zur Pumpe verlegen (Abb. 2).

- Damit die Pumpe korrekt funktioniert, muss der Vorfilter entlüftet werden, bis Wasser an der Saugleitung ausläuft (Abb. 3).

AUFSTELLUNGORT



- Zur Verbesserung der Leistung Pumpe unterhalb des Wasserspiegels des Schwimmbeckens bzw. Teichs montieren.

- Falls eine selbstansaugende Pumpe über dem Wasserniveau zu installieren ist, darf der Druckunterschied zur Absaugung der Pumpe nicht mehr als 0,02 MPa (2 mH₂O) betragen, damit der Ansaugvorgang so kurz wie möglich gehalten wird. Eine längere Rohrleitung erhöht die Ansaugzeit und den Ladeverlust der Anlage.



- Sicherstellen, dass die Pumpe vor etwaigen Überflutungen geschützt ist und eine trockene Belüftung erhält.

ELEKTROINSTALLATION



- Es muss unbedingt ein Allpolschalter mit einem Mindestabstand von 3 mm zwischen den Kontakten verwendet werden, um das Gerät von der Stromversorgung trennen zu können.

- Zum Netzanschluss ein Massivleiterkabel verwenden. Sollte ein Litzenkabel für den Netzanschluss verwendet werden, muss es mit Kabelschuhen zum Anschluss an die Klemmen des Pumpenmotors versehen werden.

- Das Gerät muss an einen (siehe Daten auf der Plakette mit den Eigenschaften der Pumpe) wechselstromanschluß mit Erdung angeschlossen werden. Dieser muss durch ein Differential (RCD) mit höchstens 30 mA gesichert sein.

- Den Thermorelaiswert entsprechend der Stromstärke der Pumpe einstellen.

- Vor dem Anschluss des Motors den erforderlichen Sicherungstyp ermitteln.

- Die korrekte Anordnung und Verbindung des Erdungskabels bei der Installation des Geräts überprüfen.

- Elektrische Installations- und Anschlussbedingungen einhalten, da sonst der Pumpenhersteller jegliche Haftung ablehnt und die Gewährleistung als wirkungslos betrachtet.

- Es können spezifische Installationsvorschriften vorhanden sein.

- Bei falschem Netzanschluss besteht ein Stromschlagrisiko

Bei Pumpen mit Einphasenmotor:

- Überhitzungsschutz ist eingebaut.
- Motorschutzschalter mit thermisch-magnetischer Auslösung verwenden.
- Die Einstellungsdaten des Thermorelais dienen nur zur Information, da im Motor ein Schutz eingebaut ist.
- Bei 230 V ein Anschlusskabel Typ H07 RN-F3 mit einem der Motorleistung und der Kabellänge entsprechenden Leiterquerschnitt verwenden.

Bei Pumpen mit Dreiphasenmotor:

- Motorschutzschalter mit thermisch-magnetischer Auslösung verwenden.
- Pumpe mit Motor-Sicherheitsschalter gegen Überlastung schützen.
- Den Wert des Thermorelais korrekt gemäß der Tabelle der thermischen Absicherung einstellen. Für den Δ -Anschluss (Netz 3 x 230 V) ist der Schutz mit dem höheren Wert maßgebend. Für den Y-Anschluss (Netz 3 x 400 V) ist der Schutz mit dem niedrigeren Wert maßgebend.

Bei anderen Spannungen als 230/400V niedrigere Spannung in Δ und höhere Spannung in Y anschließen; 400/690V.

- Bei Wechselstrom ein Anschlusskabel Typ H07 RN-F3 mit einem der Motorleistung und der Kabellänge entsprechenden Leiterquerschnitt verwenden.
- Das Netzkabel darf nur von zugelassenen Fachkräften angeschlossen werden.

4. ANLEITUNGEN ZUR INBETRIEBNAHME

VOR DER INBETRIEBNAHME



- Vor der Inbetriebnahme der Pumpe die folgenden Abläufe ausführen:
 1. Den Deckel des Vorfilters abnehmen. Hierzu die Befestigungsmutter abschrauben (Abb. 5).
 2. Die Pumpe durch den Vorfilter mit Wasser füllen, bis es durch die Saugleitung ausläuft.
 3. Wenn dabei der Korb entnommen wurde, wieder im Vorfilter einsetzen, damit keine größeren Teilchen in die Pumpe gelangen und diese blockieren.
 4. Prüfen, dass die Spannung und Frequenz des Netzes dem Typenschild der Pumpe entsprechen.
- Den Deckel des Vorfilters montieren und festschrauben. Dabei nicht vergessen, die Dichtung einzusetzen (Abb. 5).
- Die Pumpen dürfen unter keinen Umständen laufen, ohne dass der Vorfilter mit Wasser gefüllt ist. Sonst wird die mechanische Dichtung beschädigt und undicht.



- Die korrekten Motorlaufrichtung anhand des Sichtfensters am Ventilatordeckel an der Rückseite des Motors überprüfen (Abb. 6).

INBETRIEBNAHME



- Alle Ventile öffnen und den Motor anschließen.
- Automatische Entlüftung der Rohrleitungen vornehmen. Hierfür angemessen lange warten.

5. WARTUNG



- Den Korb des Vorfilters regelmäßig reinigen, um Druckabfälle zu vermeiden. Korb beim Reinigen nicht ausklopfen, da er brechen könnte.
- Wenn die Pumpe stehen bleibt, prüfen, ob die Stromaufnahme des Motors in Ampere dem Typenschild des Herstellers entspricht. Andernfalls den nächsten Kundendienst verständigen.



- Die Pumpe leeren, wenn sie längere Zeit nicht in Betrieb genommen wird (insbesondere in kalten Ländern mit Frostgefahr).
- Zum Entleeren der Pumpe die Ablassschraube 10 öffnen.
- Bei jedem Öffnen des Vorfilters Verunreinigungen am Dichtungssitz und der Dichtung entfernen, um die Dichtigkeit des Deckelverschlusses zu gewährleisten (Abb. 5).
- Die Bauteile der Pumpe mit normalem Verschleiß bzw. Abnutzung müssen regelmäßig ersetzt werden, damit die Leistungsfähigkeit der Pumpe nicht beeinträchtigt wird. Folgende Tabelle enthält eine Aufstellung der Sicherungen und Verschleißteile der Pumpe mit deren geschätzter Lebensdauer.

BAUTEILBESCHREIBUNG	GESCHÄTZTE LEBENSDAUER
O-Ringe und Dichtungselemente im Allgemeinen	1 Jahr
Mechanischer Verschluss	1 Jahr
Lager	1 Jahr

Die geschätzte Lebensdauer obiger Bauteile entspricht normalen Nutzungs- und Installationsbedingungen des Produkts.

Zur Verlängerung der Lebensdauer der Pumpe die Anweisungen des Installationshandbuchs befolgen.

6. DEMONTAGE



- Die Motor-Baugruppe kann vom Pumpengehäuse abgebaut werden, ohne die Saug- und Druckleitung der Pumpe abzutrennen.
- Zum Abnehmen der Motor-Baugruppe vom Pumpengehäuse die Verbindungsschrauben lösen.

7. STÖRUNGSTABELLE




- | | |
|---|---|
| <ul style="list-style-type: none"> 1. Die Pumpe entlüftet sich nicht 2. Die Pumpe fördert wenig Wasser 3. Die Pumpe verursacht Geräusche | <ul style="list-style-type: none"> 4. Die Pumpe läuft nicht an 5. Der Motor macht Geräusche, er läuft aber nicht an 6. Der Motor bleibt stehen |
|---|---|

1	2	3	4	5	6	URSACHEN	LÖSUNGEN
•	•					Lufttritt über die Saugleitung	Zustand der Anschlüsse und Dichtungen der Saugleitung prüfen
•						Mangelnde Dichtigkeit des Filterdeckels	Den Filterdeckel reinigen und den Zustand der Gummidichtung prüfen
•	•					Falsche Laufrichtung des Motors	2 Pole der Netzversorgung vertauschen
•	•	•				Falsche Spannung	Spannungsangaben von Typenschild und Netz prüfen
	•					Der Vorfilter ist verstopft	Den Filter reinigen
	•					Lastverlust in der Installation	Möglichst verhindern, dass die Elemente Lastverlust verursachen
		•				Unsachgemäße Befestigung der Pumpe	Die Pumpe korrekt befestigen
				•		Der Motor blockiert	Den Motor ausbauen und zum Kundendienst bringen
					•	Temperaturanstieg im Klemmenkasten aufgrund eines Spannungsbogens	Die Anschlüsse im Klemmenkasten prüfen
					•	Die Überhitzungsschutz löst aus	Die Anschlüsse der Kabel an die Klemmen im Klemmenkasten fachgerecht vornehmen
					•	Die Anschlüsse im Klemmenkasten sind mangelhaft	Das Kabel mit der Klemme fest anziehen / Die Größe der Kabelverbindung an die Klemmen des Klemmenkastens anpassen

IMPORTANTE

O manual que é fornecido contém informação fundamental sobre as medidas de segurança a adoptar durante as fases de instalação e colocação em funcionamento. Por isso, é imprescindível que tanto o instalador como o utilizador leiam as instruções antes de realizar as operações de montagem e colocação em funcionamento.

1. INDICAÇÕES GERAIS DE SEGURANÇA

Esta simbologia (  ) indica a possibilidade de perigo em consequência do desrespeito das indicações correspondentes.

**PERIGO. Risco de electrocussão.**

A não advertência para este perigo representa um risco de electrocussão.

**PERIGO.**

A não advertência para este perigo representa um risco de danos em pessoas ou bens.

**ATENÇÃO.**

A não advertência para este perigo representa um risco de danos na bomba ou na instalação.

2. NORMAS GERAIS DE SEGURANÇA**GERAL**

- As máquinas apresentadas neste Manual foram especialmente concebidas para obter a pré-filtragem e a recirculação da água nas piscinas.

- Foram concebidas para trabalhar com águas limpas e com temperaturas não superiores a 35°C.



- Efectuar a instalação com base nas indicações específicas de cada aplicação.

- Devem ser respeitadas as normas vigentes para a prevenção de acidentes.

- Para qualquer alteração na bomba é necessária a autorização prévia do fabricante. As peças de substituição originais e os acessórios autorizados pelo fabricante servem para garantir uma maior segurança. O fabricante da bomba fica isento de qualquer responsabilidade pelos danos que forem provocados pela utilização de peças ou acessórios não autorizados.



- Ao efectuar o trabalho sobre cada máquina ou sobre os equipamentos a esta ligados, é necessário desligar o equipamento da fonte de alimentação e os dispositivos de arranque, uma vez que durante o funcionamento as peças eléctricas da bomba estão sob tensão.

- O utilizador deve certificar-se de que os trabalhos de montagem e manutenção são realizados por pessoas autorizadas e qualificadas, e que estas pessoas conhecem de forma pormenorizada as instruções de instalação e serviço.



- Cumprir todas as instruções de instalação e manutenção para garantir a segurança do funcionamento da máquina.

- Em caso de funcionamento defeituoso ou avaria, deve dirigir-se ao seu fornecedor ou ao representante oficial mais próximo.

ALERTAS NOS TRABALHOS DE INSTALAÇÃO E MONTAGEM

- Durante a ligação dos cabos eléctricos ao motor da máquina, é necessário ter em atenção a disposição dos cabos no interior da caixa de ligações, verificar que não existem pedaços de cabo no interior depois de fechar e que a ligação à terra está devidamente efectuada. Ligar o motor de acordo com o esquema eléctrico enviado com a máquina.

- Garantir que as ligações dos cabos eléctricos na caixa de ligações da máquina ficam bem encaixadas e apertadas nos terminais de ligação.

- O aparelho deve ser ligado a uma tomada de corrente alterna (ver dados na chapa de características da bomba), com ligação à terra, protegida com um interruptor diferencial (RCD) com uma corrente de funcionamento residual que não exceda os 30 mA.



- Utilizar correctamente a junta da caixa de terminais do motor eléctrico para evitar a entrada de água. Do mesmo modo, colocar e apertar a estopa no interior do passador de cabos da caixa de terminais.
- É necessário ter atenção para que, de forma alguma, entre água no motor e nas partes eléctricas em tensão.
- Caso a utilização prevista não seja a indicada, poderá ser necessário aplicar medidas e normas técnicas suplementares.

ALERTAS NA COLOCAÇÃO EM FUNCIONAMENTO



Antes de colocar a máquina em funcionamento é necessário verificar a calibração dos dispositivos de protecção eléctricos do motor e verificar se as protecções contra contactos eléctricos e mecânicos estão correctamente posicionadas e fixadas.

NOTA

Recomenda-se não utilizar as instalações sanitárias enquanto o equipamento de bombeamento está a funcionar. A bomba não deve ser utilizada quando as pessoas estiverem em contacto com a água.

ALERTAS NOS TRABALHOS DE MONTAGEM E MANUTENÇÃO



- Para a montagem e instalação das bombas é necessário ter em atenção as normas de instalação nacionais.



- É necessário ter atenção para que, de forma alguma, entre água no motor e nas partes eléctricas em tensão.



- Evitar a qualquer momento o contacto, mesmo que accidental, com as peças móveis da máquina durante o funcionamento da mesma e/ou antes da sua paragem total.



- Esperar que máquina pare completamente antes de efectuar qualquer intervenção.



- Desligar a máquina da fonte de alimentação e bloquear os dispositivos da colocação em funcionamento, antes de proceder a qualquer intervenção de manutenção eléctrica ou mecânica.



- É aconselhável adoptar as seguintes medidas antes de efectuar qualquer intervenção na máquina:



1. Desligar a tensão da máquina.

2. Bloquear os dispositivos de colocação em funcionamento.

3. Comprovar que no existe tensão nos circuitos, mesmo nos auxiliares, e nos serviços suplementares.

4. Esperar até que o rotor pare completamente.

A lista apresentada deve ser considerada indicativa e não vinculativa aos efeitos de segurança, uma vez que podem existir normas de segurança específicas para determinadas normas.



- Verificar periodicamente:

- A correcta fixação das peças mecânicas e o estado dos parafusos de suporte da máquina.

- A correcta posição, a fixação e o estado dos condutores de alimentação e das peças isolantes.

- A temperatura da máquina e do motor eléctrico. Em caso de anomalia, parar imediatamente a máquina e recorrer ao Serviço de Assistência Técnica mais próximo.

- As vibrações da máquina. Em caso de anomalia, parar imediatamente a máquina e recorrer ao Serviço de Assistência Técnica mais próximo.



As instruções de instalação, utilização e manutenção incluídas neste manual, devido à complexidade dos casos tratados, não pretendem examinar todos os casos possíveis e imagináveis de serviço e manutenção. Caso sejam necessárias instruções suplementares ou caso surjam problemas específicos, recomenda-se contactar com Serviço de Assistência Técnica mais próximo.

A instalação eléctrica deve ser realizada por profissionais qualificados em instalações eléctricas. Este aparelho não se destina a pessoas com capacidades físicas, sensoriais ou mentais reduzidas ou sem experiência, salvo se tiverem tido supervisão ou instruções acerca da sua utilização por um responsável de segurança.

Não permita que crianças ou adultos se apoiem ou sentem no aparelho. As crianças devem ser mantidas sob vigilância.

3. INSTALAÇÃO E MONTAGEM

GERAL



- A montagem e instalação das nossas bombas, só é permitida em piscinas ou tanques que cumpram a norma HD 384.7.702. Em caso de dúvida, consultar um perito.



- Realizar a montagem da bomba na posição horizontal devido ao pré-filtro. - As bombas, utilizam um pré-filtro com um cesto no seu interior pra recolher as partículas grossas, dado que estas partículas podem danificar a parte interior hidráulica da bomba.

- Todas as bombas estão equipadas com uma base com orifícios para poderem ser instalados no solo através de uma fixação (Fig. 1).

TUBAGENS



- Para realizar a ligação da tubagem, encaixar as tubagens nos racores, instalada em conjunto com a bomba; as uniões dos racores às bocas de aspiração e impulsão da bomba são de rosca e utilizam juntas de vedação para evitar a perda de água (Fig. 2).

- Realizar a instalação das tubagens de impulsão de forma perpendicular e bem centrada em relação à entrada onde vai ser ligada para evitar que a bomba e a tubagem sejam submetidos a esforços externos que, para além de dificultarem a montagem, poderiam acabar por romper (Fig. 2).

- Instalar a tubagem de aspiração com uma ligeira inclinação para a bomba, na ordem dos 2%, evitando a criação de bolsas de ar (Fig. 2).

- Para o correcto funcionamento da bomba é necessário efectuar o enchimento do pré-filtro da bomba até que a água chegue à conduta de aspiração (Fig.3).

COLOCAÇÃO



- Para melhorar o rendimento das bombas aconselha-se a sua montagem numa posição abaixo do nível de água da piscina ou do tanque.

- No caso de ter de instalar uma bomba auto-aspirante acima do nível da água, o diferencial de pressão para a aspiração da bomba não deve ser superior a 0,02 MPa (2 mH₂O), procurando que a conduta de aspiração seja o mais curta possível dado que uma tubagem mais comprida aumenta o tempo de aspiração e as perdas de carga da instalação.



- A bomba deve ser colocada num local onde não esteja sujeita a possíveis inundações e possa receber uma ventilação de ar seco.

INSTALAÇÃO ELÉCTRICA



- É imprescindível utilizar um dispositivo de desconexão múltiplo com uma separação mínima de 3 mm entre contactos para desligar o aparelho da alimentação eléctrica.

- Utilizar um cabo rígido como ligação de rede. No caso de utilizar um cabo flexível para a ligação de rede, este deve dispor de terminais para respectiva sua ligação aos terminais do motor da bomba.

- O aparelho deve ser ligado a uma tomada de corrente alterna (ver dados na chapa de características da bomba), com ligação à terra, protegida com um interruptor diferencial (RCD) com uma corrente de funcionamento residual que não exceda os 30 mA.

- Ajustar convenientemente o valor do relé térmico de acordo com a intensidade da bomba.

- Antes de ligar o motor, verificar o tipo de fusível necessário.

- Verificar a correcta disposição e ligação do cabo de terra na instalação do equipamento.

- Respeitar as condições de instalação e as ligações eléctricas, caso contrário, o fabricante da bomba declina qualquer responsabilidade e anula a garantia.

- Podem existir regulamentos especiais para a instalação.

- Existe perigo de electrocussão, caso a ligação à rede eléctrica não seja efectuada de forma adequada.

Caso a bomba tenha um motor monofásico:

- Possui um protector térmico.
- Utilizar uma protecção de motor com protecção magneto-térmica.
- Os dados de regulação do relé térmico são meramente ilustrativos, já que o motor utiliza um disjuntor incorporado.
- Para 230 V deve ser utilizada uma mangueira de ligação do tipo H07 RN-F3 e adaptar a secção de cabo à potência do motor e ao comprimento do cabo.

Caso a bomba utilize um motor trifásico:

- Utilizar uma protecção de motor com protecção magneto-térmica.
- Proteger a bomba para eventuais sobrecargas com um interruptor de segurança para o motor.
- Ajustar convenientemente o valor térmico, segundo a tabela de protectores térmicos. Para a ligação Δ (Rede de 3 x 230 V.) corresponde o protector do maior valor indicado. Para a ligação Y (Rede de 3 x 400 V.) corresponde o protector de menor valor.

Fazer a ligação da tensão mais baixa em Δ e a tensão mais alta em Y para intervalos de tensão diferentes de 230/400V; 400/690V.

- Para a corrente alternada utilizar uma mangueira de ligação do tipo H07 RN-F3 com uma secção do cabo adaptada à potência do motor e ao comprimento do cabo.
- Para fazer a ligação do cabo de alimentação, este só pode ser ligado por pessoal qualificado e autorizado (tipo de ligação).

4. INSTRUÇÕES DE COLOCAÇÃO EM FUNCIONAMENTO

OPERAÇÕES PRÉVIAS À COLOCAÇÃO EM FUNCIONAMENTO



- Antes de colocar a bomba em funcionamento, é necessário realizar as seguintes operações:

1. Desmontar a tampa do pré-filtro desenroscando a porca de fixação (Fig. 5).
2. Encher a bomba com água pelo pré-filtro até chegar à conduta de aspiração.
3. Caso o cesto tenha sido retirado durante estas operações, é necessário voltar a colocá-lo no interior do pré-filtro, para impedir a entrada de partículas grossas no interior da bomba que poderiam acabar por bloquear a bomba.
4. Comprovar que a tensão e frequência da rede eléctrica correspondem aos valores indicados na placa de características da bomba.

- Colocar a tampa do pré-filtro e enroscar para fechar sem esquecer de colocar a junta na respectiva posição (Fig.5).
- As bombas não podem ser colocadas em funcionamento sem que o pré-filtro tenha sido previamente enchido de água, caso contrário, pode danificar a junta mecânica provocando fugas de água.



- Comprovar que o sentido de rotação do motor é o correcto, utilizando o ventilador situado na parte traseira do motor, que pode ser observado através do óculo na tampa do ventilador (Fig. 6).

COLOCAÇÃO EM FUNCIONAMENTO



- Abrir todas as válvulas e ligar o motor.
- Efectuar a autolubrificação da tubagem e aguardar que seja efectuada.

5. MANUTENÇÃO



- Limpar o cesto do pré-filtro regularmente para evitar quebras de pressão. Para evitar uma possível ruptura do cesto, não é aconselhável bater no cesto durante as operações de limpeza.
- Caso a bomba pare, verificar se o consumo de amperes do motor em funcionamento é igual ou inferior ao indicado na placa de características do fabricante, ou em caso de anomalia recorrer ao Serviço de Assistência Técnica mais próximo.



- Esvaziar a bomba sempre que for necessário deixar o equipamento algum tempo fora de funcionar, principalmente em países frios onde possa existir o perigo de congelação.
- Para esvaziar a bomba extrair o tampão de purga 10.
- Sempre que o pré-filtro for aberto, limpar as impurezas do assento da junta e da própria junta, para garantir a estanqueidade no fecho da tampa (Fig. 5).
- Os componentes da bomba que, devido à sua utilização habitual, sofram desgaste e/ou deterioração devem ser repostos periodicamente para manter o bom rendimento da bomba. Na seguinte tabela são apresentados os componentes de desgaste e/ou consumíveis da bomba e o período de vida útil estimado para cada um deles.

DESCRIÇÃO DO COMPONENTE	PERÍODO ESTIMADO DE VIDA
Juntas tóricas e elementos de estanqueidade em geral	1 ano
Fecho mecânico	1 ano
Rolamentos	1 ano

O período de vida útil estimado das peças anteriores foi estabelecido tendo em conta condições normais de utilização e instalação do produto.

Seguir as instruções do manual de instalação para manter o período de vida útil da bomba.

6. DESMONTAGEM



- O conjunto do motor pode ser desmontado do corpo da bomba, sem necessidade de desligar as tubagens de aspiração e impulsão da bomba.
- Para desmontar o Conjunto do motor do corpo da bomba, retirar os parafusos que os unem.

7. TABELA DE AVARIAS

- | | |
|-----------------------------------|-------------------------------------|
| 1. A bomba não enche | 4. A bomba não arranca |
| 2. A bomba apresenta pouco caudal | 5. O motor faz barulho mas não roda |
| 3. A bomba faz ruído | 6. Paragem do motor |

1	2	3	4	5	6	CAUSAS	SOLUÇÕES
•	•					Entrada de ar pela tubagem de aspiração	Confirmar o estado de racores e as juntas do tubo de aspiração
•						Estanqueidade deficiente da tampa do filtro	Limpar a tampa do filtro e confirmar o estado da junta de borracha
•	•					Rotação do motor invertida	Inverter 2 fases da alimentação
•	•		•			Tensão incorrecta	Comprovar as características da tensão da placa e da rede eléctrica
	•					Pré-filtro obturado	Limpar o filtro
	•					Perdas de carga na instalação	Evitar ao máximo que os elementos produzam perdas de carga
		•				Fixação incorrecta da bomba	Fixar correctamente a bomba
				•		Motor bloqueado	Desmontar o motor e consultar o serviço técnico
					•	Aumento da temperatura na caixa de terminais por acção do arco voltaico	Comprovar as ligações da caixa de terminais
					•	O protector térmico dispara	Realizar correctamente a ligação dos cabos com os terminais das caixas de terminais
					•	Ligações da caixa de terminais mal efectuadas	Apertar correctamente o cabo no terminal / Adaptar o tamanho da ligação do cabo aos terminais da caixa de terminais

ANCHOR DETAIL / DETAIL DE L'ANCRAGE
 DETALLE ANCLAJE / DETTAGLIO ANCORAGGIO
 VERANKERUNG / DETALHE DE FIXAÇÃO

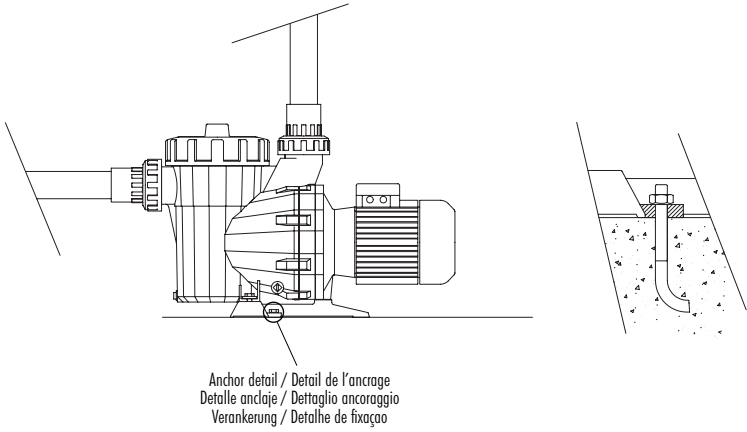
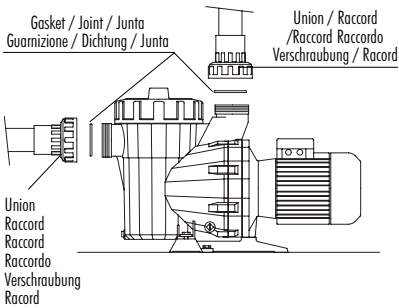


Fig. 1

CORRECT / CORRECT / CORRECTO
 CORRETTO / RICHTIG / CORRECTO



INCORRECT / INCORRECT / INCORRECTO
 NON CORRETTO / FALSCH / INCORRECTO

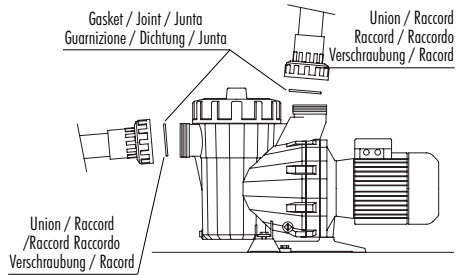


Fig. 2

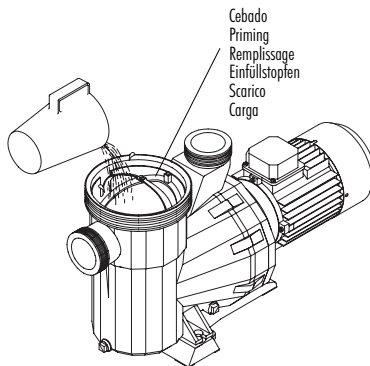


Fig. 3

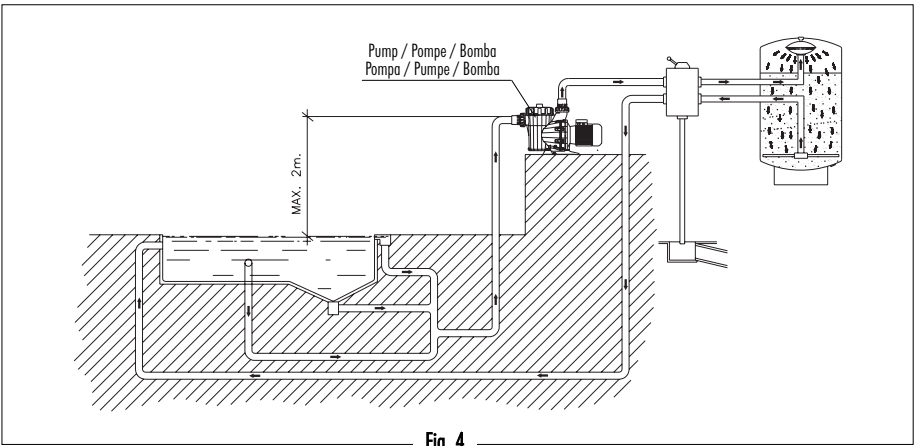


Fig. 4

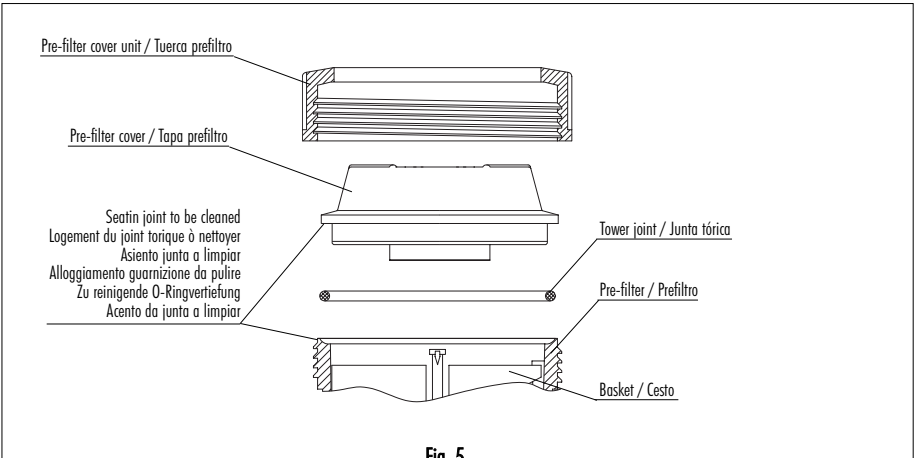


Fig. 5

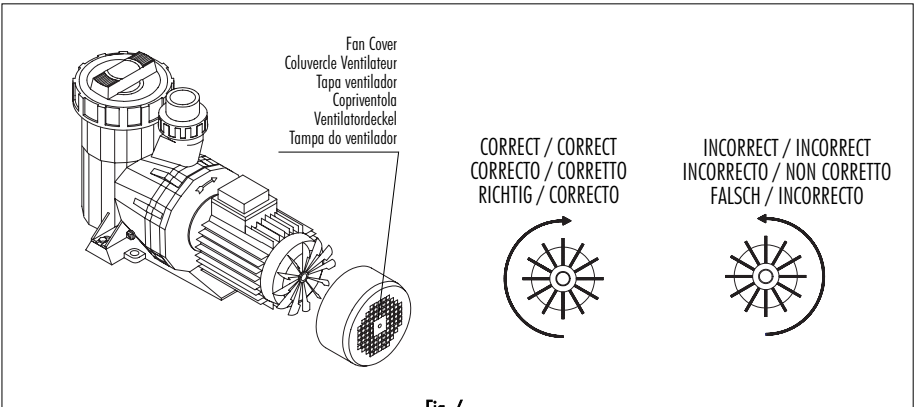
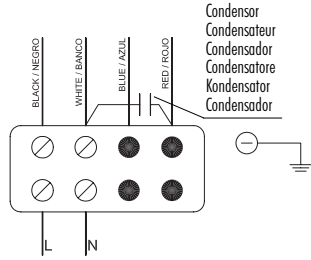
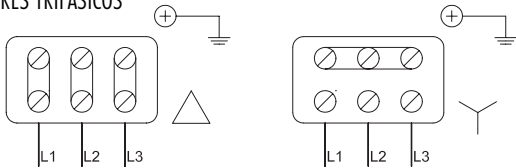


Fig. 6

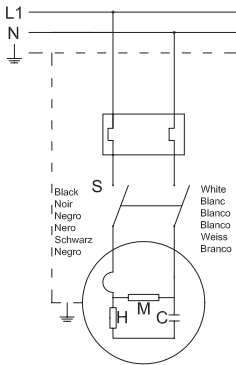
SINGLE PHASE MOTORS / MOTEURS MONOPHASES
 MOTORES MONOFÁSICOS / MOTORI MONOFASE
 EINPHASIGE MOTOREN / MOTORES MONOFASICOS



THREE PHASE MOTORS / MOTEURS TRIPHASES
 MOTORES TRIFÁSICOS / MOTORI TRIFASE
 DREINPHASE MOTOREN / MOTORES TRIFASICOS



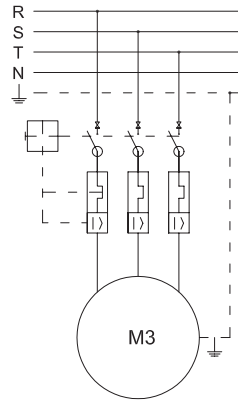
SINGLE PHASE / MONOPHASES
 MONOFÁSICOS / MONOFASE
 EINPHASIG / MONOFASICOS



Black
Noir
Negro
Nero
Schwarz
Negro

White
Blanc
Blanco
Bianco
Weiss
Branco

THREE PHASE / TRIPHASES
 TRIFÁSICOS / TRIFASE
 DREINPHASIG / TRIFASICOS



Cod. 05085-0008 / Rev. 5

- We reserve the right to change all or part of the features of the articles or contents of this document, without prior notice.
- Nous nous réservons le droit de modifier totalement ou en partie les caractéristiques de nos articles ou le contenu de ce document sans préavis.
- Nos reservamos el derecho de cambiar total o parcialmente las características de nuestros artículos o contenido de este documento sin previo aviso.
- Ci riserviamo il diritto di cambiare totalmente o parzialmente le caratteristiche tecniche dei nostri prodotti ed il contenuto di questo documento senza nessun preavviso.
- Wir behalten uns das recht vor, die merkmale unserer produkte und den inhalt dieser beschreibung ohne vorherige unkündigung ganz oder teilweise zu ändern.
- Reservamo-nos no direito de alterar, total ou parcialmente características dos nossos artigos ou o conteúdo deste documento sem aviso prévio.